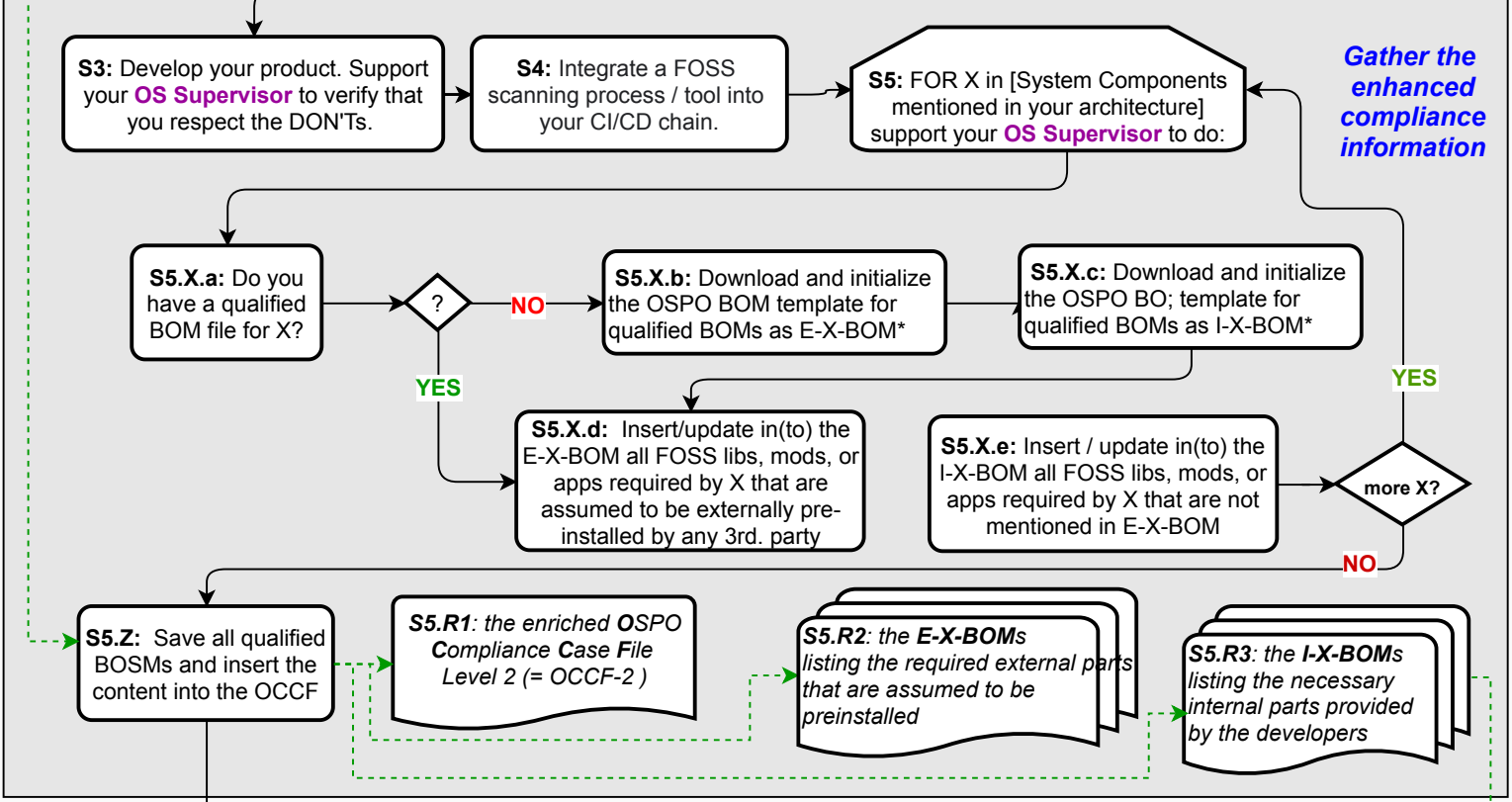
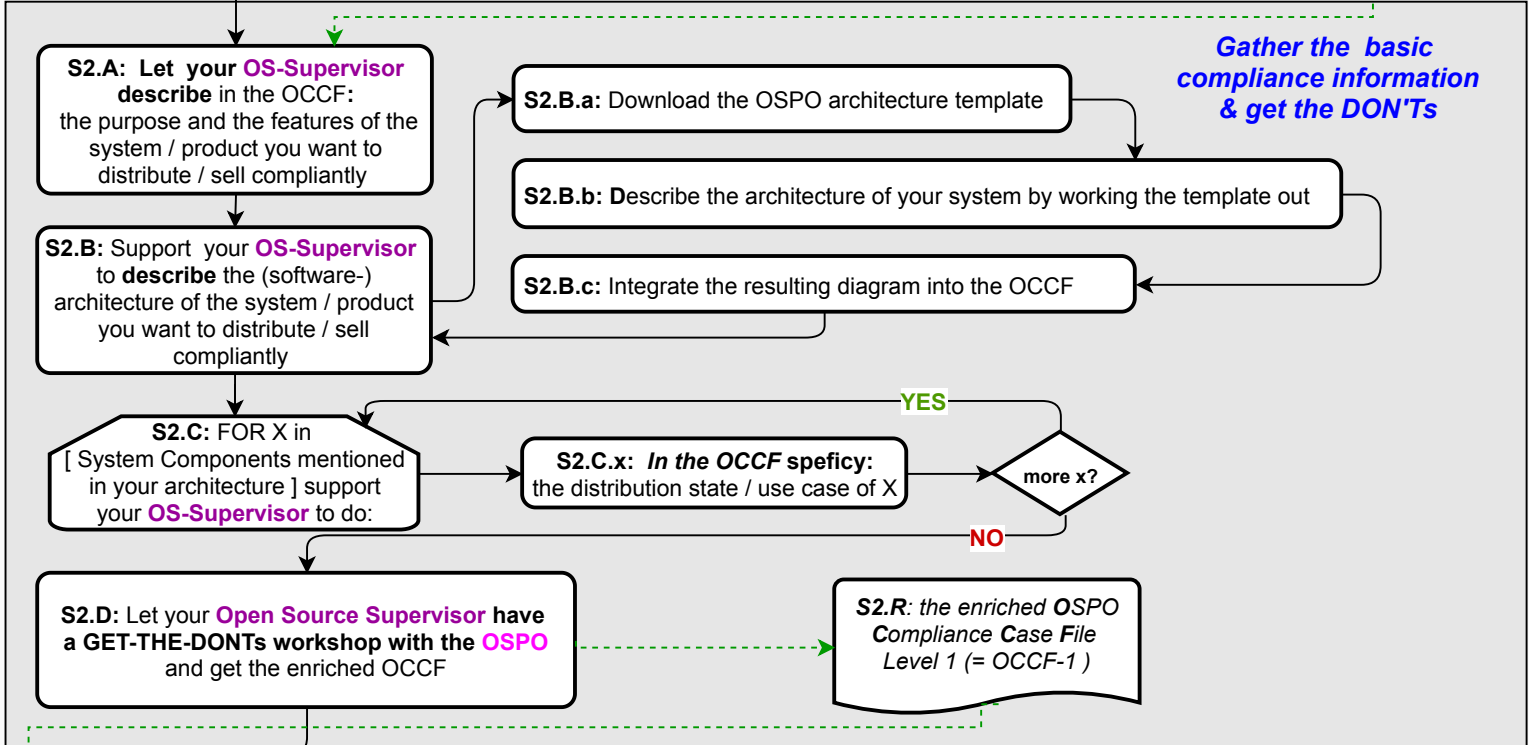
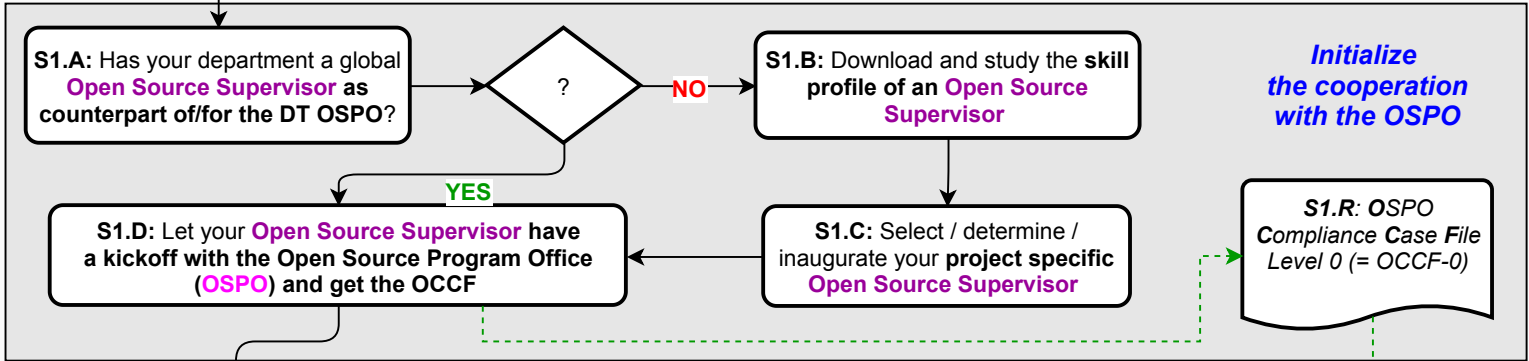
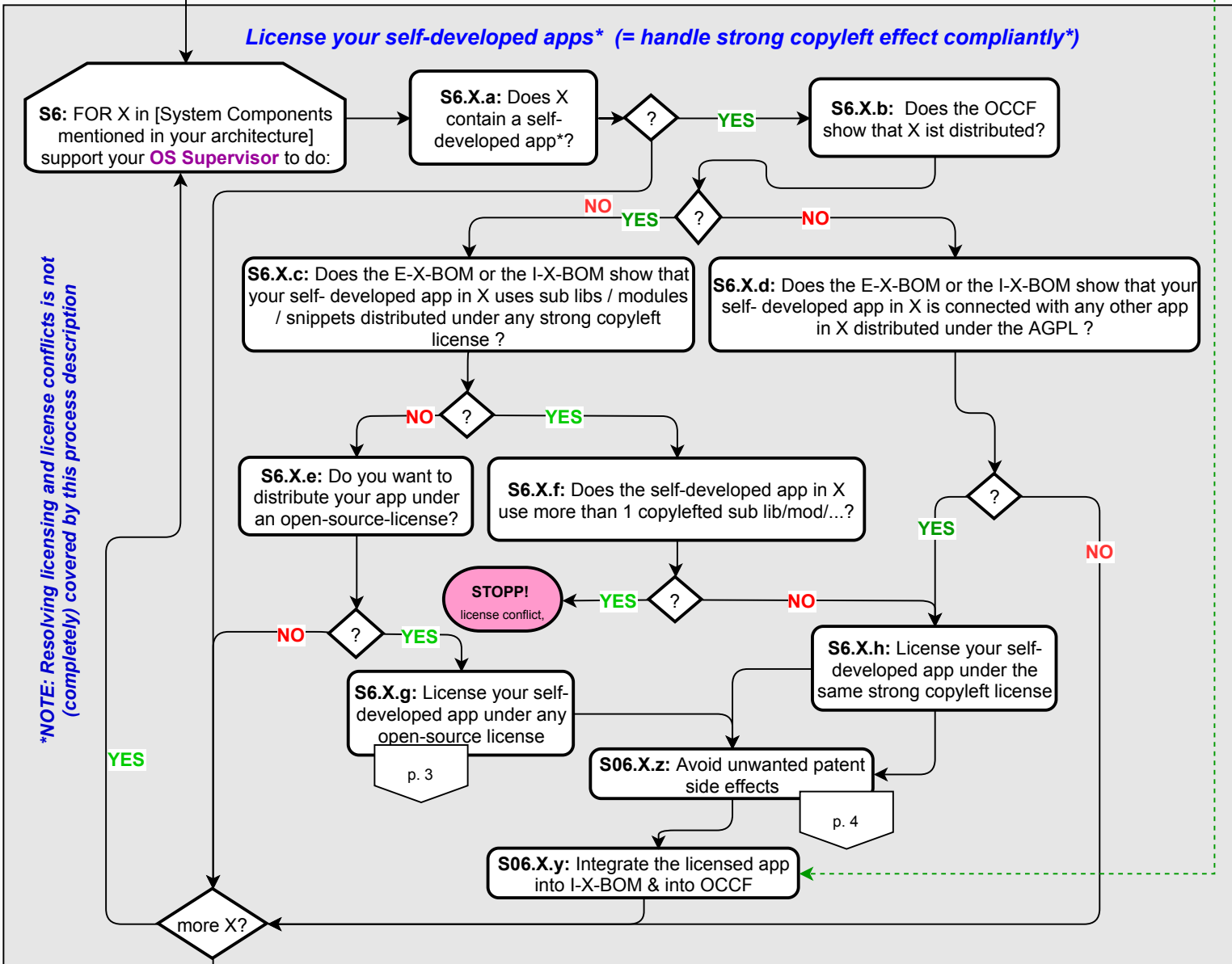


# Getting compliantly deliverable FOSS based DT products / systems:

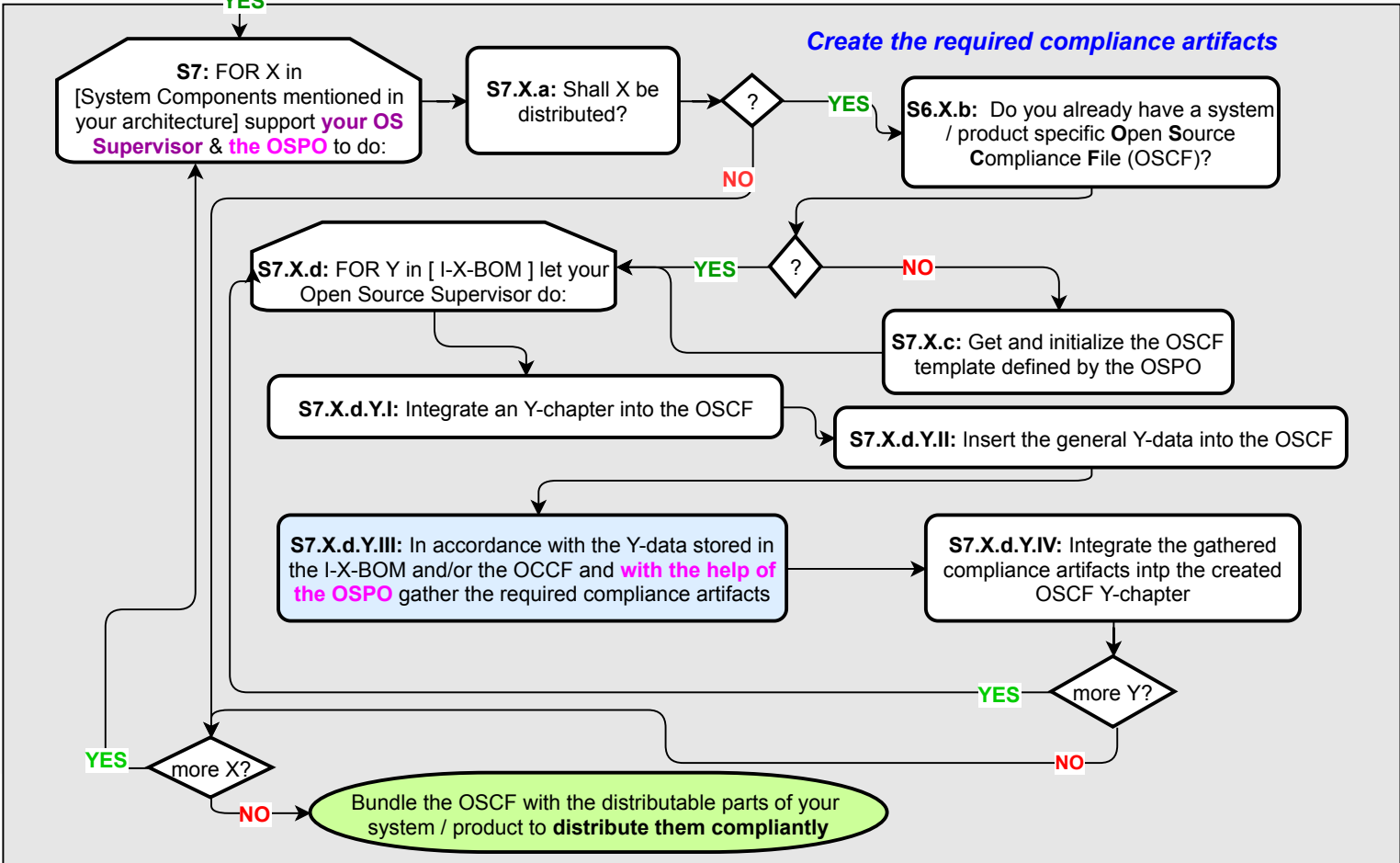
START



**License your self-developed apps\* (= handle strong copyleft effect compliantly\*)**



**Create the required compliance artifacts**



# Selecting a FOSS license

from S6.X.g  
on p. 1

**S6.X.A.g** Select any FOSS license for your software (in accordance to the DT guideline)

YES

Do you want to attract as many users as possible to use your work?

NO  
not necessarily

Do you want to give your users certainty that you will not require patent fees for using your software?

NO

Do you want to enforce your users to distribute their improvements also in form of source code?

YES

Is your work a library or module (instead of being an autonomously executable application)?

NO  
an APP

Do you want to extend the enforcement of additionally having to distribute the source code also to those apps which use your library / module?

YES

Is your work mainly used in the cloud?

YES

NO

YES

YES

NO

NO

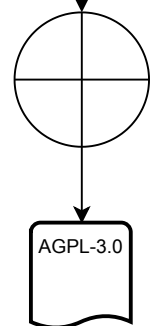
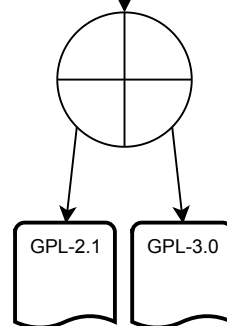
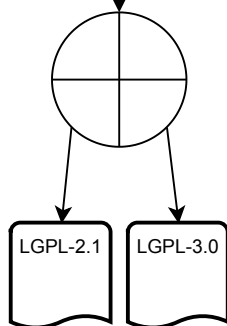
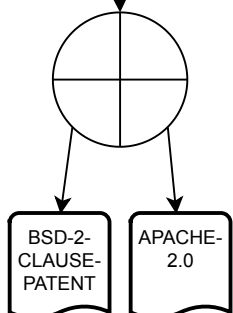
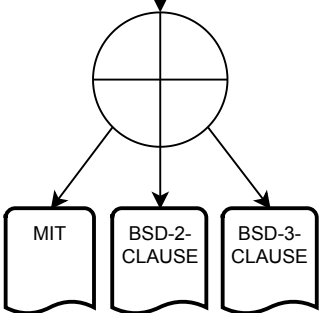
**S7Ca:** Choose a permissive FOSS license without any patent clause

**S7Cb:** Choose a permissive FOSS license with a patent clause

**S7Cd:** Choose a FOSS license with a weak copyleft effect triggered by distribution

**S7Cd:** Choose a FOSS license with a strong copyleft effect triggered by distribution

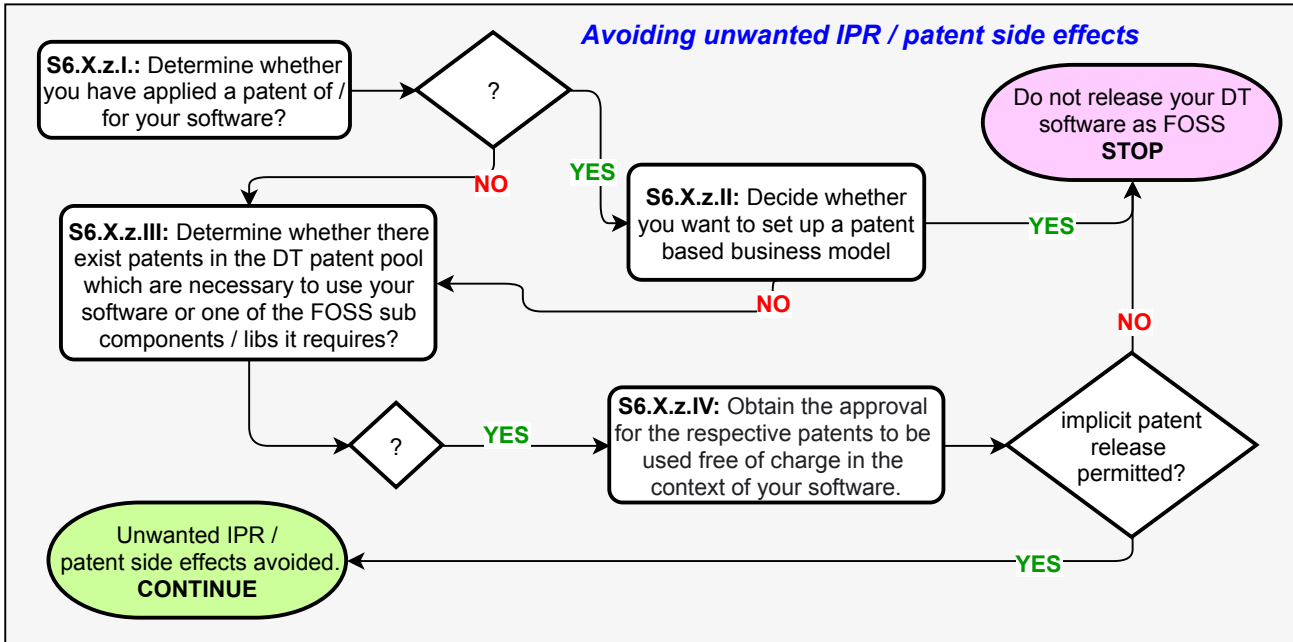
**S7Ce:** Choose a FOSS license with a strong copyleft effect triggered by cloud usage



back to  
S6.X.g  
on p. 1

# Avoiding unwanted IPR / patent effects

from S6.X.z  
on p. 2



back to S6.X.z  
on p. 2